

JOTTO DESK ACCESSORIES

Specifications subject to change without notice



UNIVERSAL PHONE HOLDER

Model 5159

Gripmatic® Universal Cell Phone Holder grips all shapes of phones and has a quick release. Must be used with Sidesaddle



PDA HOLDER

Model 1308

Conveniently mounts your Palm Pilot™ or other PDA system to the Desktop. Must be used with Sidesaddle.



USB LIGHT

Model 2490

12" flexible wand with blue filtered light and rheostat to adjust brightness. Three foot power cord plugs into cigarette lighter.



TELESCOPING RODS

8" Rod Model 1487
10" Rod Model 1136
12" Rod Model 1270



PIVOTING SIDESADDLE

Model 5225

Used to secure phone or palm holder to right side of desktop. The Pivoting Sidesaddle pivots independent of desktop angle.



STATIONARY SIDESADDLE

Model 5224

Used to secure phone or palm holder to right side of desktop.



BRACE KIT

Model 5238

The Brace Kit attaches to the stand providing additional support. It can be adjusted in length and mounts on flat, vertical or angled surfaces.



CABLE-DOCK® UPGRADE KIT

Model 5237

Firmly secures computer to the desktop with a series of cables and latches.



SCREEN SUPPORT

Model 5999

The Screen Support is designed to keep your screen in place while you use your computer. It attaches directly to the desk and adjusts in height and tilt.



OTR TRUCK
Computer Mount - No Holes
Model No. 425-5131



PLEASE CHECK ALL BOX FLAPS AND INSERTS FOR PARTS STORED UNDERNEATH BEFORE DISCARDING BOX. THANK YOU.

WARNING: Do not install or use this product in any manner which would interfere with any of the vehicles controls, air bags or safety devices. Follow vehicle owner's manual instructions should a dash warning light come on after installation of this desk. Do not install or use this product in any manner which causes a safety hazard for vehicle and/or occupants.

To avoid serious injury do not place this desk or any objects between the air bags and yourself or any passengers. If necessary remove the desk before driving. Store in trunk or other safe place.

We recommend that you do not work on the Jotto Desk while driving! Park safely, then use. Remember, driving safely comes first.

WARNING: Make sure of and check on a regular basis that all knobs, fastening devices and handles are tight and secure. Repair or replace any faulty or worn parts. All equipment, such as computers, printers, phones, etc. must be safely secured when vehicle is in motion.

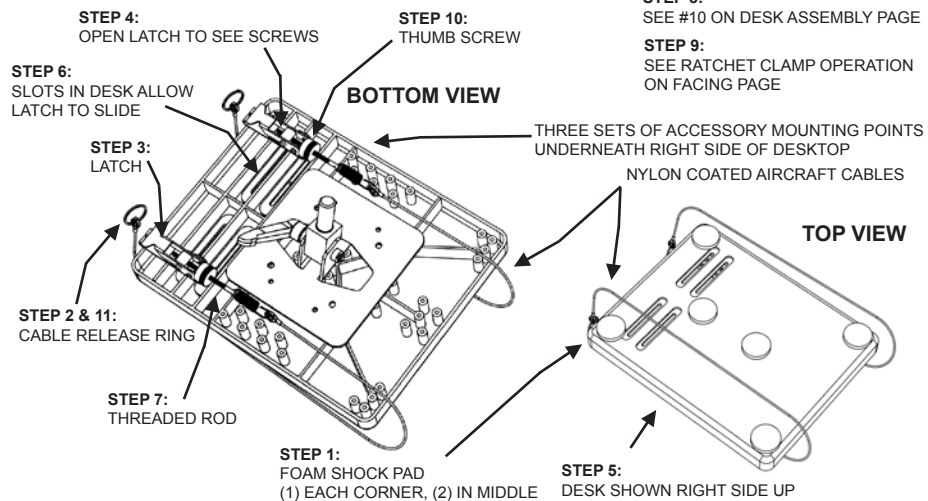
DISCLAIMER: The manufacturer of this product may not be held liable for any accidents, injuries or problems caused by the use or installation of this product.

Specifications subject to change without notice.

Jotto Desk® is a patented product and registered trademark of Assembled Products® Corporation
425-513111 061308

 jottodesk.com
toll free 1.877.455.6886

SETTING UP THE "ACD" CABLE-DOCK DESKTOP



- STEP 1** Place the six foam shock pads on desktop surface in a similar pattern as shown.
- STEP 2** Free cables from latches and flip desktop over, keep latches on right side.
- STEP 3** Open bottom latch to access the two adjusting screws for properly locating the latch location in desk slots (you may need to screw the long threaded rod out of the way).
- STEP 4** Use a standard blade screwdriver to loosen (but not remove) the two screws.
- STEP 5** Turn desk right side up with the latches on the left side. Place computer on top and line up top cable to rest above the "F" (function) keys, then secure by throwing latch.
- STEP 6** Slide bottom latch and cable to desired position, usually just below last row of keys and secure. If needed, fine tune bottom latch position. Now tighten the two latch screws.
- STEP 7** Adjust the tightening tension of the cables by rolling the cable between the thumb and fingers. This will turn the threaded rod in the latch and thereby adjust the cable length to achieve the desired tension.
- CAUTION:** DO NOT SHORTEN THE CABLES TO A POINT WHERE THE SPRING UNDER THE DESKTOP IS STRETCHED MORE THAN 3X THE ORIGINAL LENGTH WHEN LATCH ASSEMBLY IS CLOSED.
- STEP 8** Place the desktop on the arm, setting the pivot post found underneath the desktop into hole at end of arm.
- STEP 9** To set the desktop angle, adjust, ratchet handle to securely tighten desktop in desired angle. Adjust, ratchet handle at end of articulated swing arm so that the desktop should be able to rotate with firm hand pressure.
- STEP 10** To prevent release of latch, use thumb screw to tighten against the latch. To release the latch back thumb screw one full turn and throw latch.
- STEP 11** To release and secure cables, pull down on metal ring at end of cable and feed cable into the forked prongs attached too each latch. Pull down and away to remove.

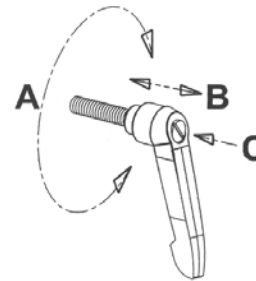
CAUTION SHORTENING THE CABLE LENGTH IN AN ATTEMPT TO MORE SECURELY HOLD THE LAPTOP IN PLACE COULD RESULT IN DAMAGE TO YOUR COMPUTER. THE SPRINGS UNDERNEATH THE DESKTOP SHOULD NEVER BE STRETCHED MORE THAN 3 TIMES THE ORIGINAL LENGTH.

INSTALLATION PROCEDURE

READ INSTRUCTIONS BEFORE BEGINNING INSTALLATION



- 1 - Remove all four seat bolts, passenger or driver seat which ever you prefer. Place base in desired location using two of the seat bolts and place the two spacers under the two unused seat bolts.
- 2 - Place vertical tube/rod assembly on base post. Use clover knob to tightly secure vertical tube to post.
- 3 - Place articulated swing arm over the 5/8" end of the telescoping rod. Tighten with ratchet handle. Ratchets insert at large opening in arm.
- 4 - Attach desktop to end of articulated swing arm and secure by tightening ratchet handle.



RATCHET CLAMP OPERATION

NOTE: Ratchet handles are spring loaded and can be readjusted to tighten.

To adjust, pull handle out (B) and rotate counter clockwise (A), release and tighten. If needed, use standard screwdriver in slot for adjustment (C)

NOTE: Insert the ratchet handle through the unthreaded side of the articulated swing arm and tighten.



1 No Holes Base
425-3191



Vertical tube assembly
1 Tube &
Telescoping Rod
425-5461



1 Desktop
425-5215



1 Articulated
Swing Arm
425-1188



2 Spacers



1 Clover Knob
425-3136



2 Ratchet
Handles
425-1273



6 Foam
Pads
425-2496